

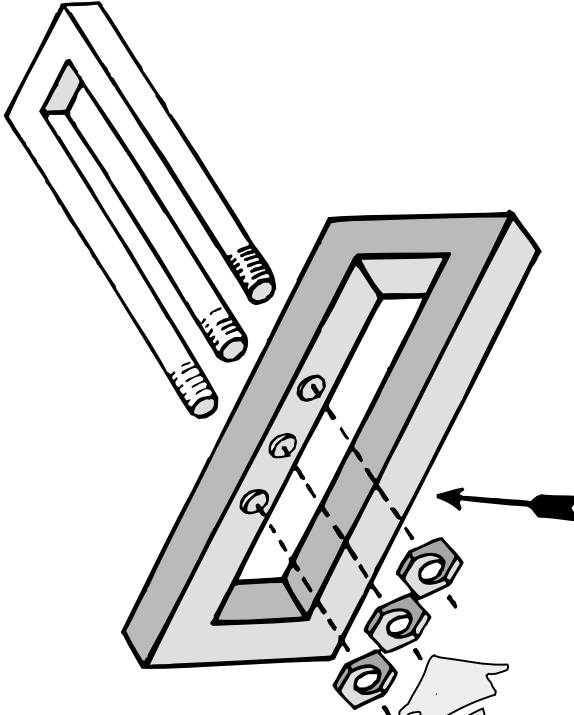
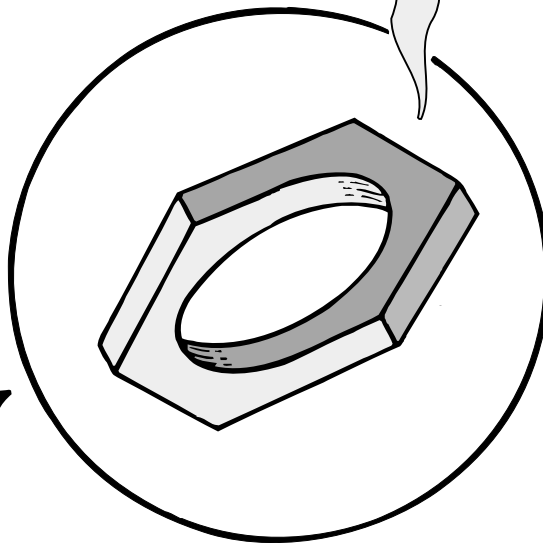
NOTICE TO PERSONS RECEIVING THIS DRAWING

This drawing is issued in confidence for engineering information only and may not be used to manufacture anything shown hereon without direct permission.

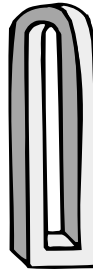
TRICKOMETRIC DOPACATOR



**AMBIHELICAL HEXEDNUT 3.1417 REQUIRED
(SILVER THREADS AMONG THE GALLED)**



RECTABULAR EXCRUSION SUPPORT



**REFLEX SOLID-FAX
MECHANICAL AMPLALIER**

GONKLATAER ARMATURE

Scale 1:1

Approved By:

Date 8-21-70

JOHN NUNEMAKER

Drawn By : 007 1/2

Revised : 8-23-70

COPY SHOP

EAST 303 SECOND AVENUE
SPOKANE, WASHINGTON 99202

Area 509 Phone 838-8228

Drawing Number
13

